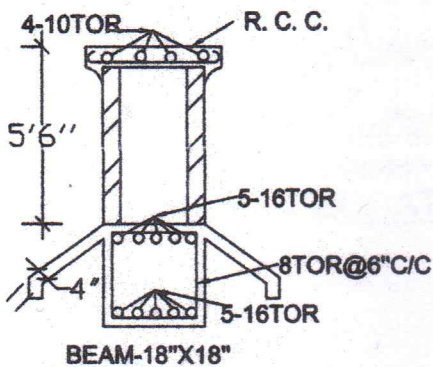


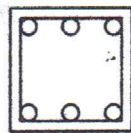
D.A.V. PUBLIC SCHOOL AT BAKHARI, BEGUSARAI.

ELEVATION OF GATE

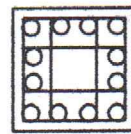


SEC. ATA-A

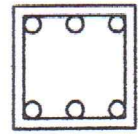
GATE-1



TB-18"X15"
6-16TOR



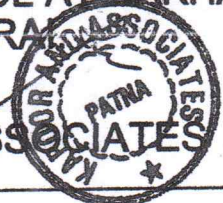
C1-20"X20"
12-16TOR

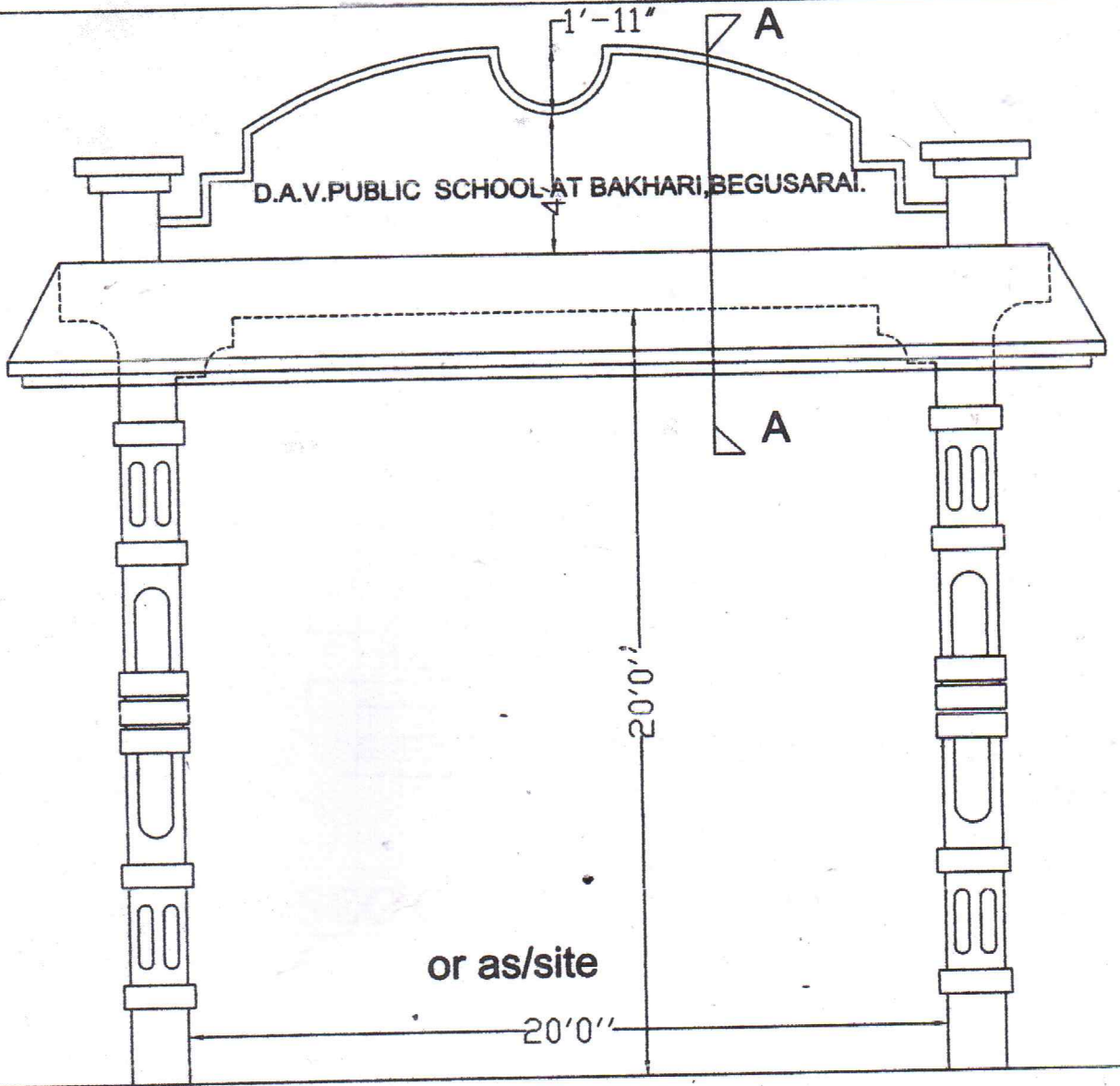


PB-18"X10"
6-12TOR

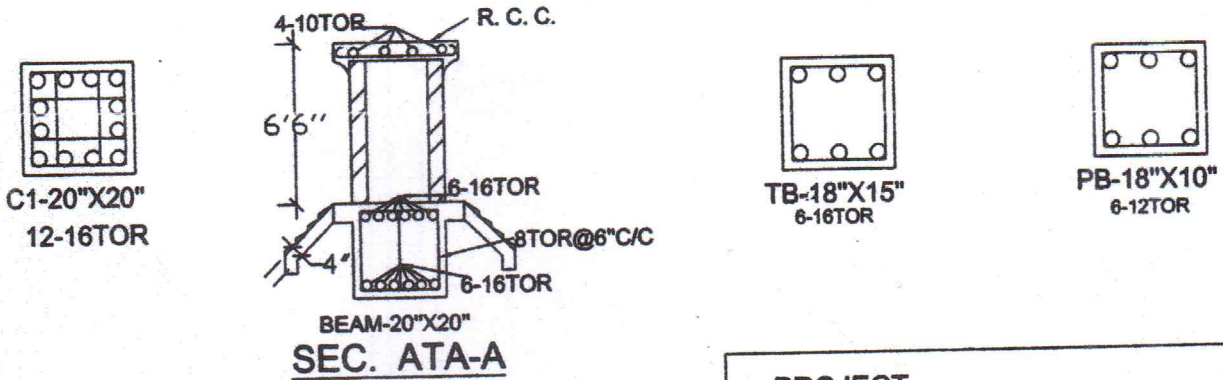
PROJECT-
DAV PUBLIC SCHOOL AT BAKHARI
BEGUSARAI

ARCHITECTS-
KAPOOR & ASSOCIATES





ELEVATION

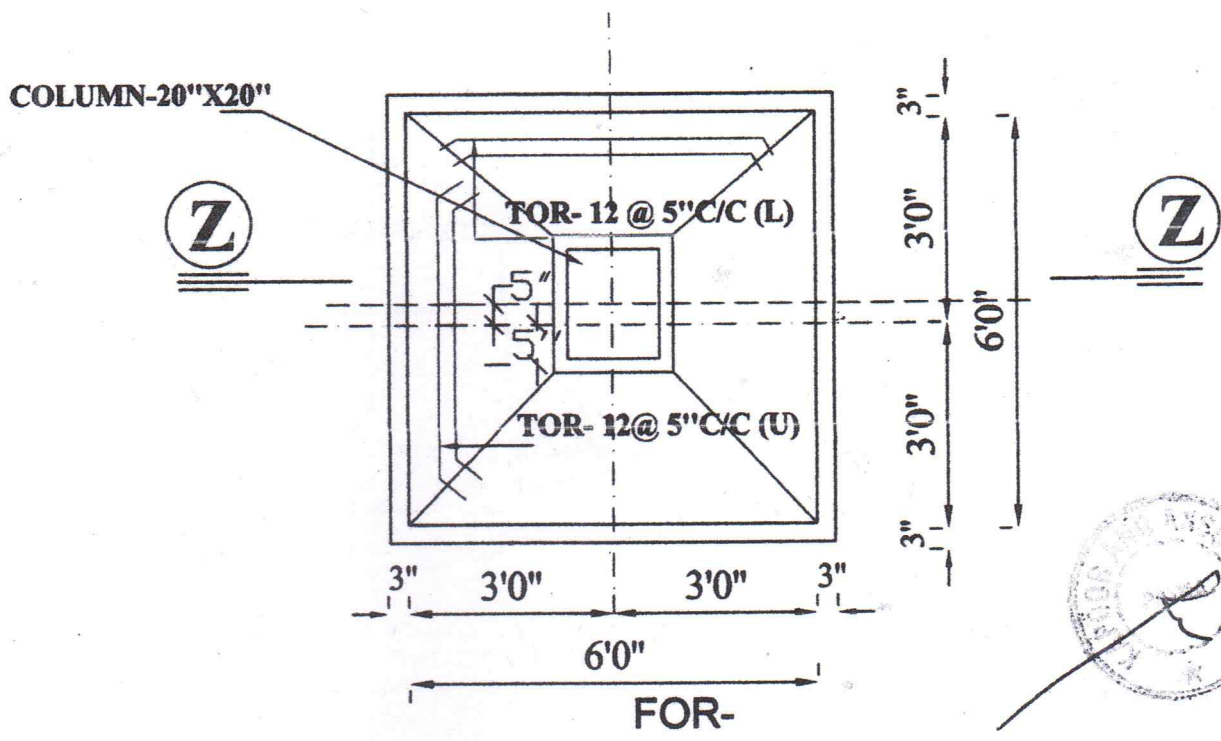
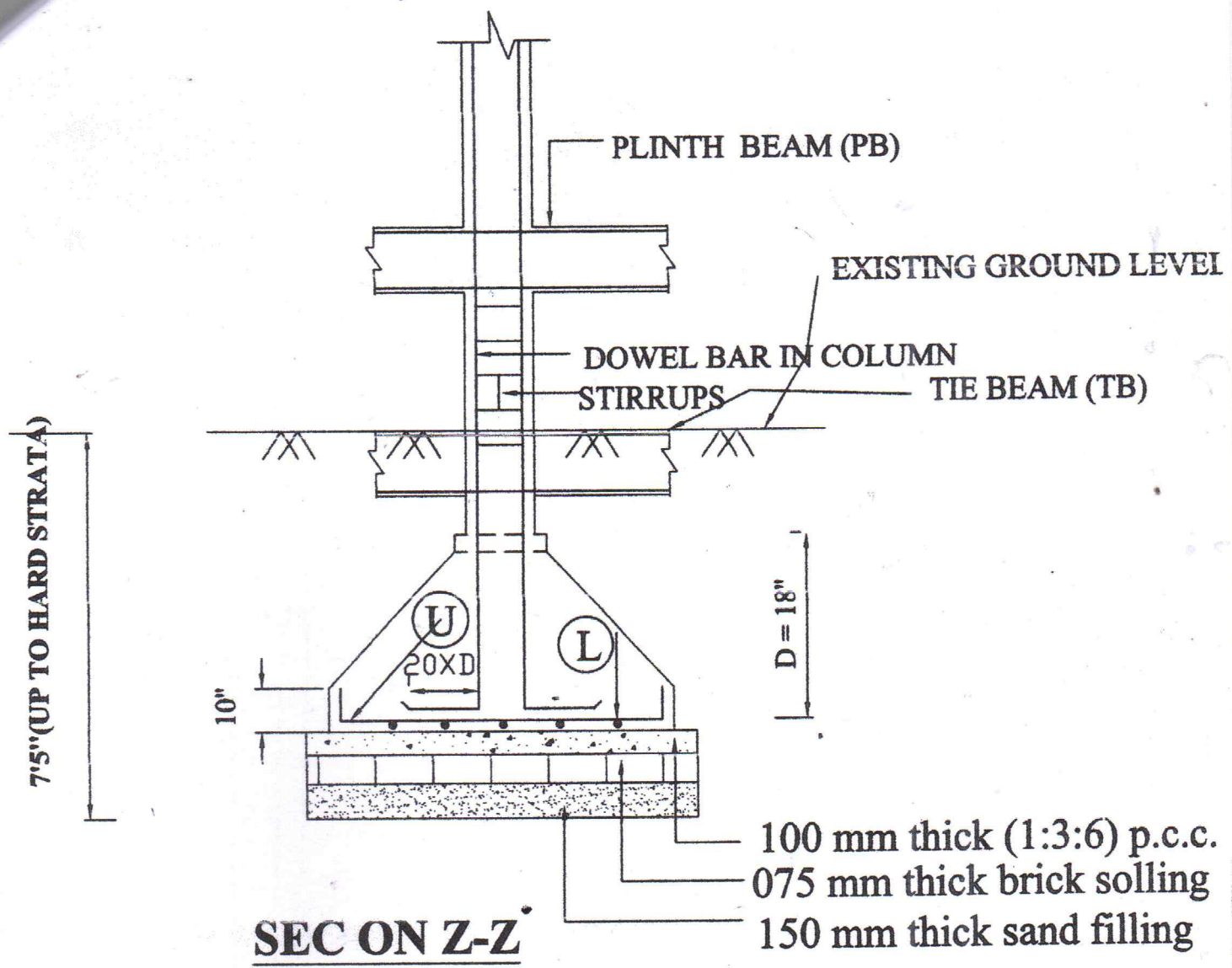


GATE-2

PROJECT-
DAV PUBLIC SCHOOL AT BAKHARI
BEGUSARAI

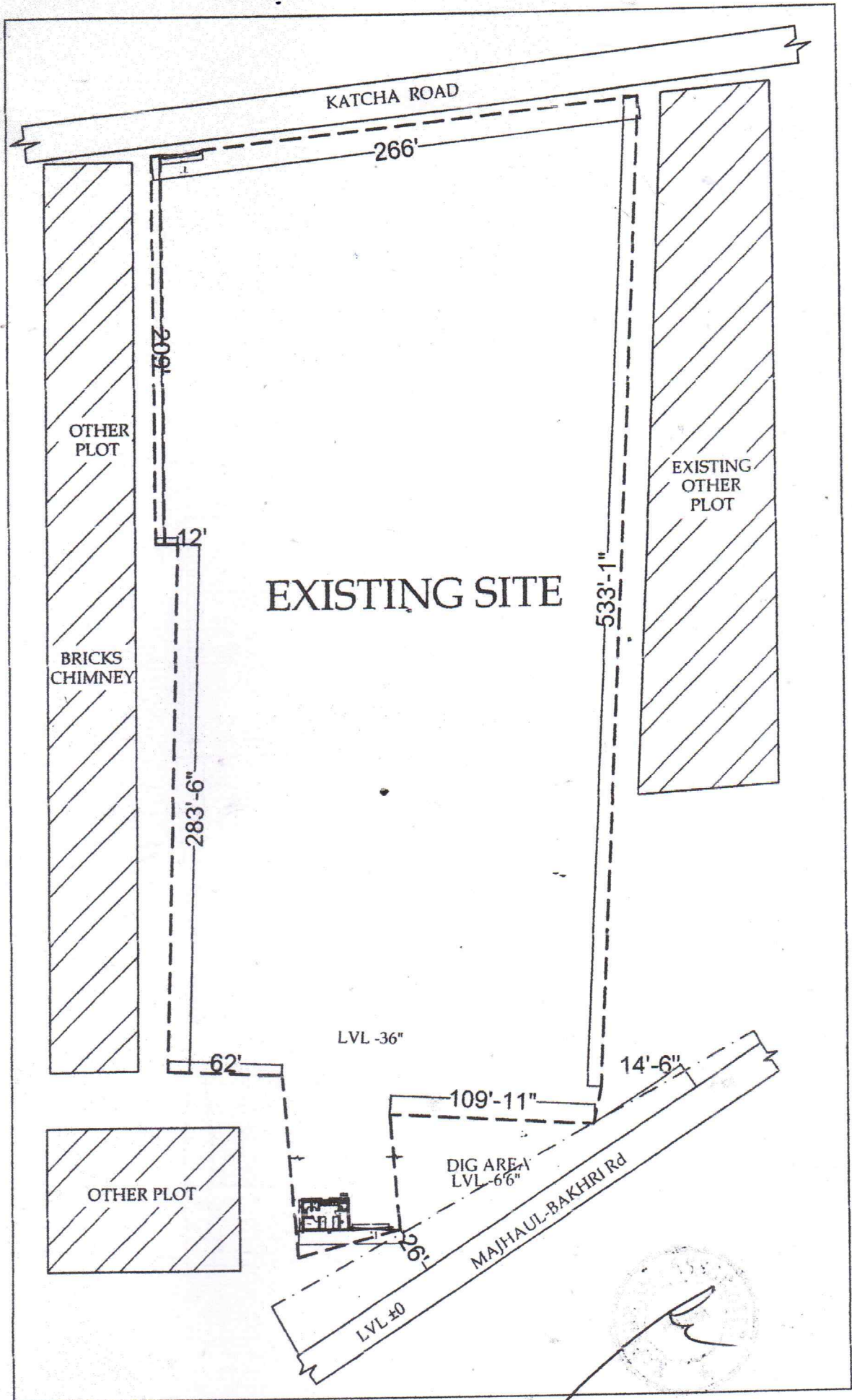
ARCHITECTS-
KAPOOR&ASSOCIATES





DETAIL OF FOOTING

D.A.V. PUBLIC SCHOOL AT BAKHARI,
BEGUSARAI.



PROJECT

D.A.V. PUBLIC SCHOOL
AT BAKHRI, BEGUSARAI

SHEET TITLE:-

PROPOSED SITE PLAN

DATE

05-02-2021

SHEET NO.

PAWN IN

RAHUL

NO. 10/11



ARCHITECTS

101 A, Park Road, Begusarai, Bihar 800011
Ph: 98551 33333
www.kandassociates.com

k&a

Partner and associates
ARCHITECTS, BEGUSARAI, BIHAR, INDIA

